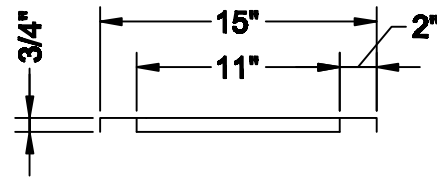
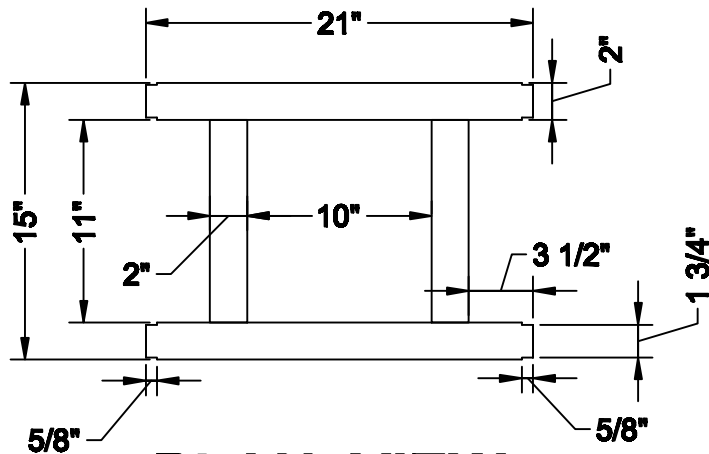


FRONT ELEVATION

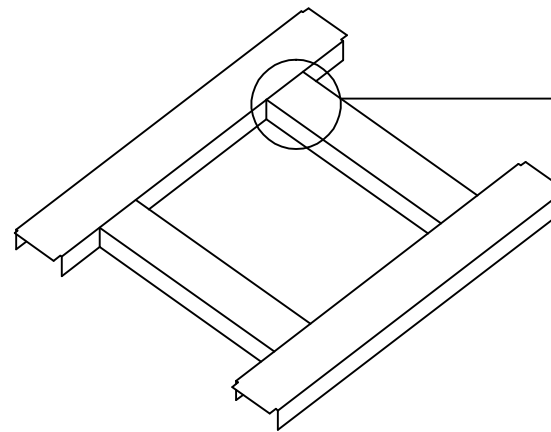


SIDE VIEW

● 16 GA. Stainless Steel Construction.



PLAN VIEW



ISOMETRIC

Full welding

DRAWN FOR:	MAT. TOP: 16GA. S/S. BASE:	DATE	REVISIONS	Tarrison Products Ltd.
REF. NO:	REQ/ITEM:			
ITEM NAME: H-Frame	DATE: NOV / 24 / 2015			
PROD. NO.: TA-HF1	BY:			
SCALE: 1/2" = 1'-0"	CHECKED BY:			